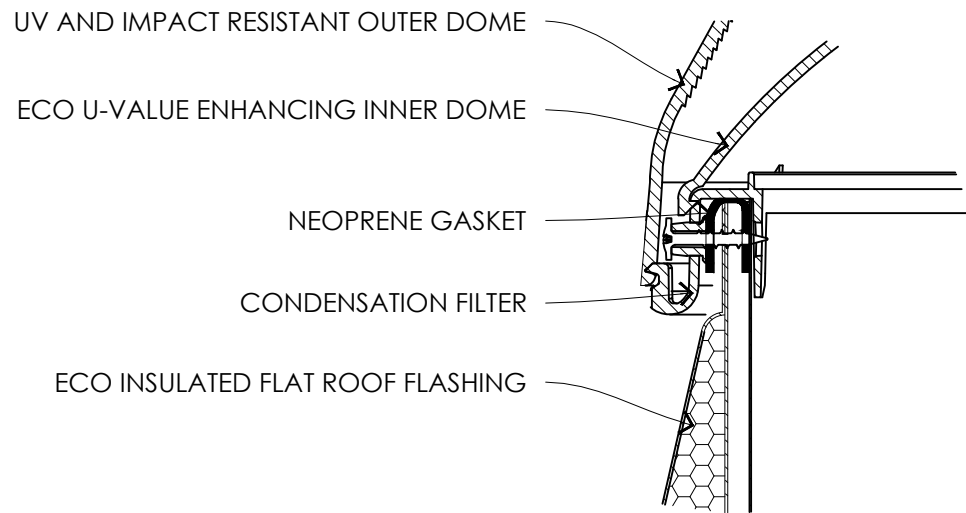


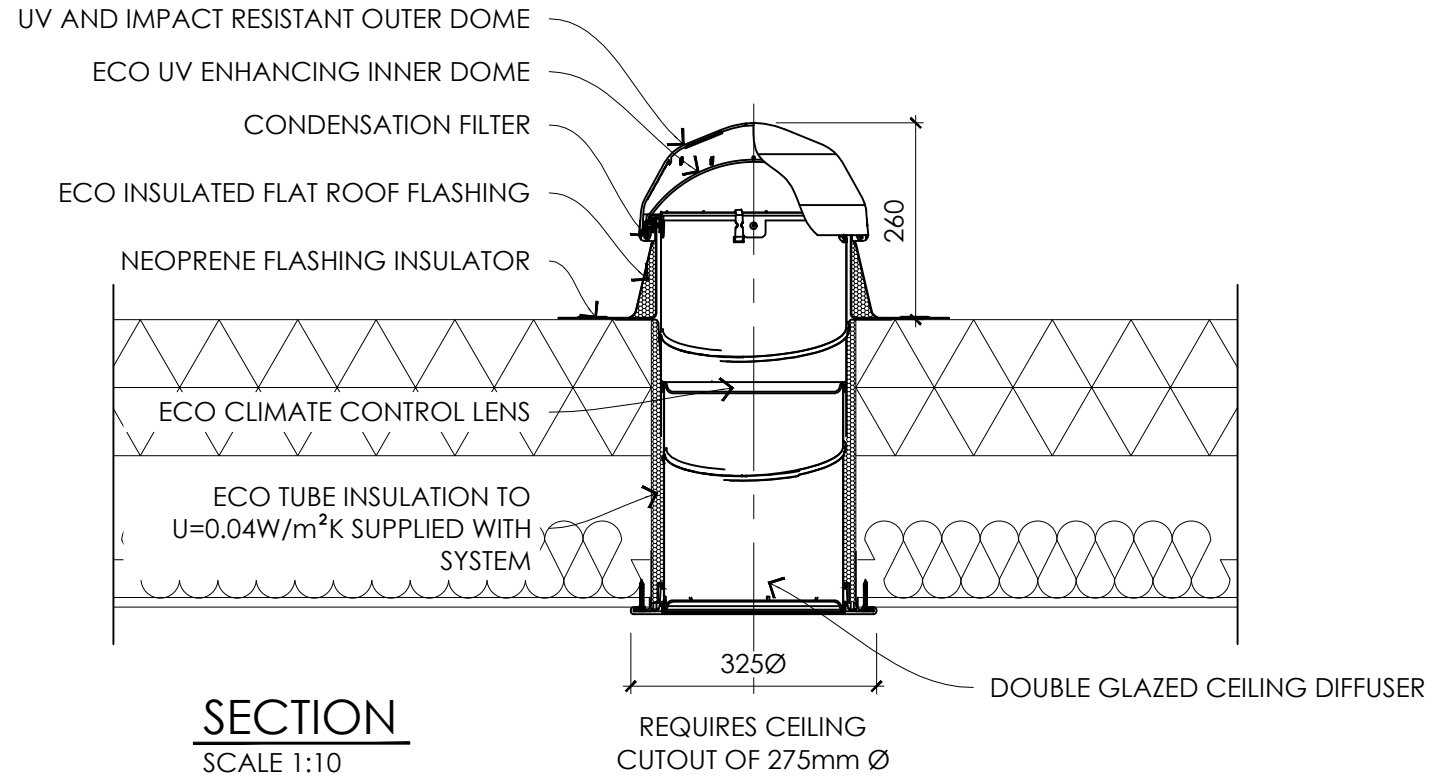
A



**ROOF DOME AND UPSTAND DETAIL**

SCALE 1:2

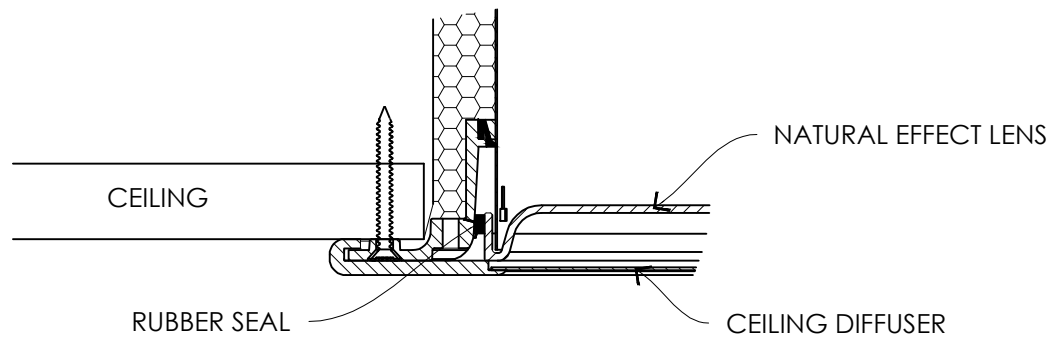
B



**SECTION**

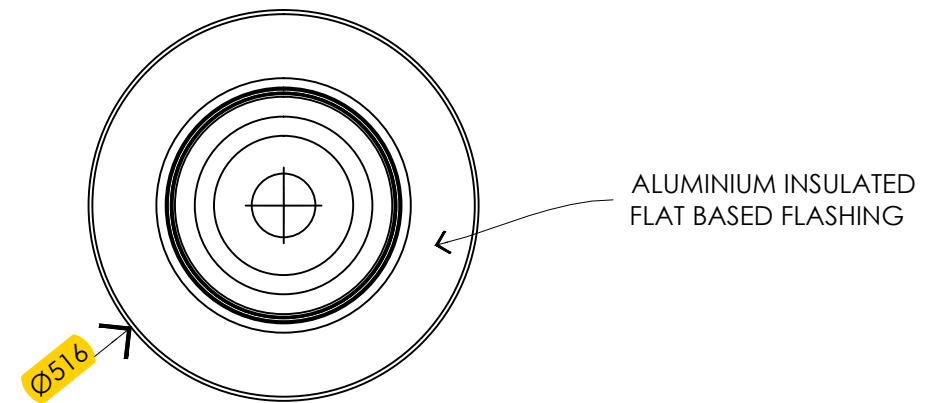
SCALE 1:10

C



**CEILING ASSEMBLY AND DIFFUSER DETAIL**

SCALE 1:2



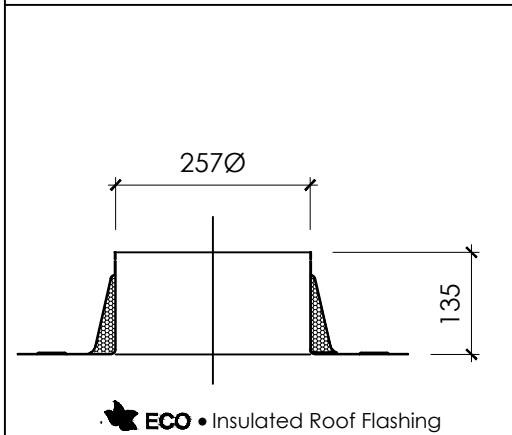
**INSULATED FLAT ROOF FLASHING 516Ø**

SCALE 1:10

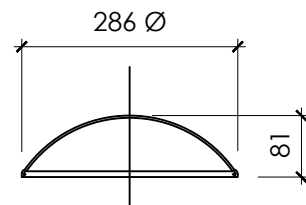
D

E

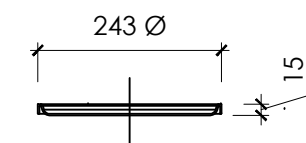
SPECIFIC ENERGY CARE OPTIMA COMPONENTS:



ECO • Insulated Roof Flashing



ECO • Inner Dome



ECO • Climate Control Lens

GENERAL

All mirror surfaces use Solatube Spectralight Infinity 99.7% reflective

COMPONENT LIST

- Eco flat roof flashing with insulator
- Outer roof dome
- Eco inner roof dome
- Top tube with neoprene seal
- Eco tube insulation
- Ceiling tube assembly
- Natural effect lens
- Climate control lens
- Ceiling diffuser
- All fixings and fastenings



SolaLighting Limited

23 Osier Way,  
Olney Office Park,  
Olney, MK46 5FP  
T: 01234 241466  
E: daylight@solatube.co.uk  
W: www.solatube.co.uk

Drawing Title

SOLATUBE 160 DS (250mmØ) ENERGY CARE OPTIMA ENHANCEMENT 0.5W/m²K

Description

FLAT ROOF DETAILS

AUTHOR. DATE. | PAGE. SCALE. | REVISION  
PSDS 16.3.16 | A3 1:10/1:2 | P3

All dimensions in mm and rounded to nearest millimetre.

DRAWING NO.  
**160 DS ECO\_1**