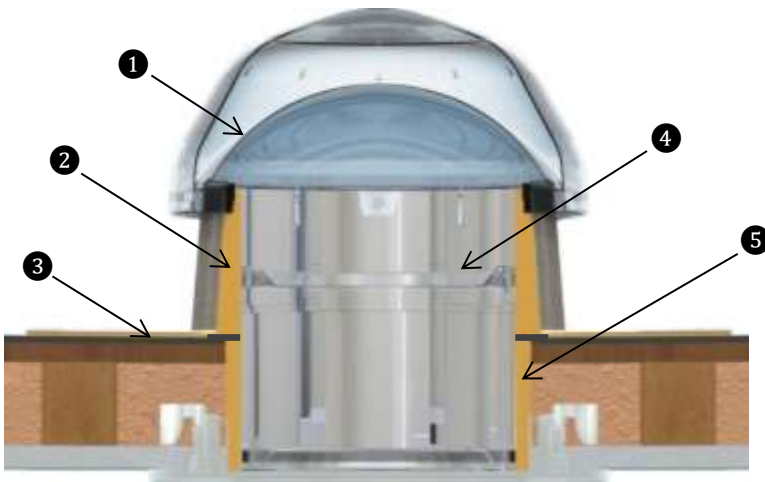


Product Installation Guide

Energy Care Optima® is an optional enhancement available for the BBA Certified Solatube 160DS and 290DS models (pitched or flat roof) to enhance the thermal and acoustic properties of the Solatube Daylighting System to Passive House standards

PLEASE READ THIS GUIDE IN CONJUNCTION WITH THE SOLATUBE BRIGHTEN UP SERIES INSTALLATION GUIDE



Parts list:

1. Inner dome
2. Insulated roof flashing (as specified)
3. Flashing insulator
4. Climate control lens
5. Multi-layer foil insulation

Step 1 Installing the insulated roof flashing

Please see separate installation guide for your specified flashing (diagram A).

Step 2 Installing the Solatube inner dome

At step 9 of the Solatube Brighten Up Series installation guide;

Insert the inner dome on top of the dome ring prior to the roof dome being fixed in place (diagram B). Align the tabs of the inner dome with the snaps on the dome ring and press down into place. Check to ensure that the snaps are fully engaged then install the outer Solatube roof dome.

Diagram A



Diagram B

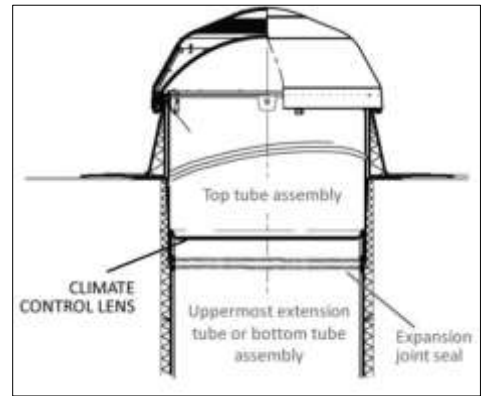


Step 3 Installing the climate control lens

At step 12 of the Solatube Brighten Up Series installation guide;

Place the Solatube Climate Control lens on the uppermost extension tube or, if no extension tubes are used, on the bottom tube assembly (after applying the expansion joint seal), then insert the tube upwards into the top tube assembly just below the roof (diagram C).

Diagram C



Step 4 Insulate the tube

When you have completed the Solatube installation, wrap the Energy Care Optima insulation material around the entire length of the tube and secure (diagram D).

Diagram D



Image shows pitched roof flashing



If you have any questions regarding the installation of your Solatube products please contact us – we shall be delighted to help.



Telephone 01234 241466

SolaLighting Limited
23 Osier Way, Olney Office Park, Olney MK46 5FP

Tel: 01234 241466 Fax: 01234 241766 Web: www.solatube.co.uk Email: daylight@solatube.co.uk

©Solalighting Limited